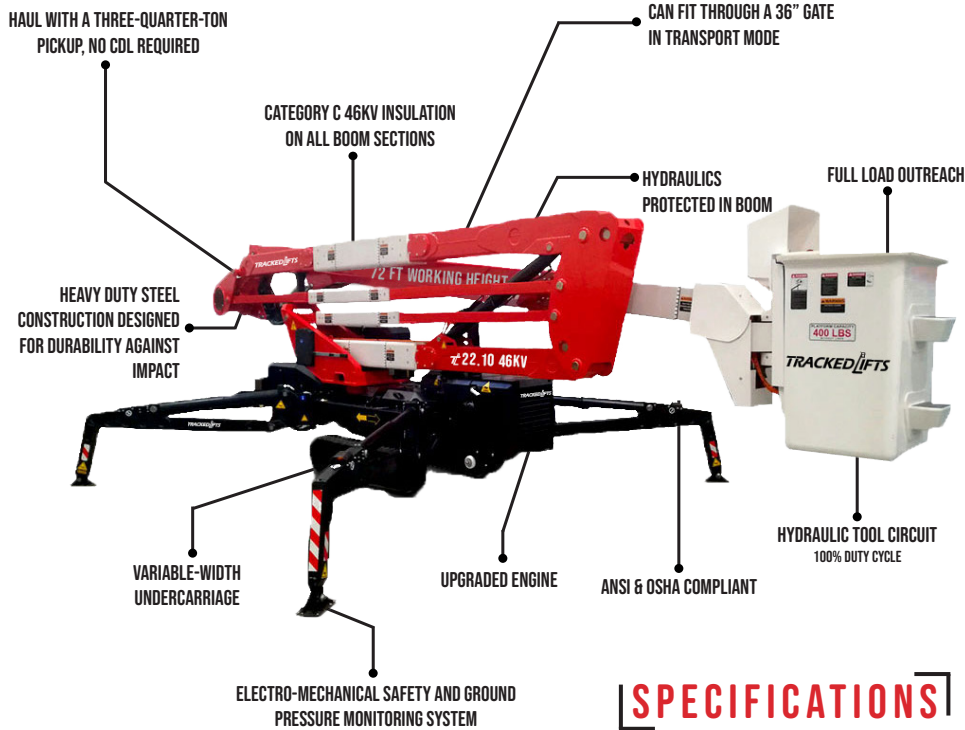


22.10 46KV

72' WORKING HEIGHT

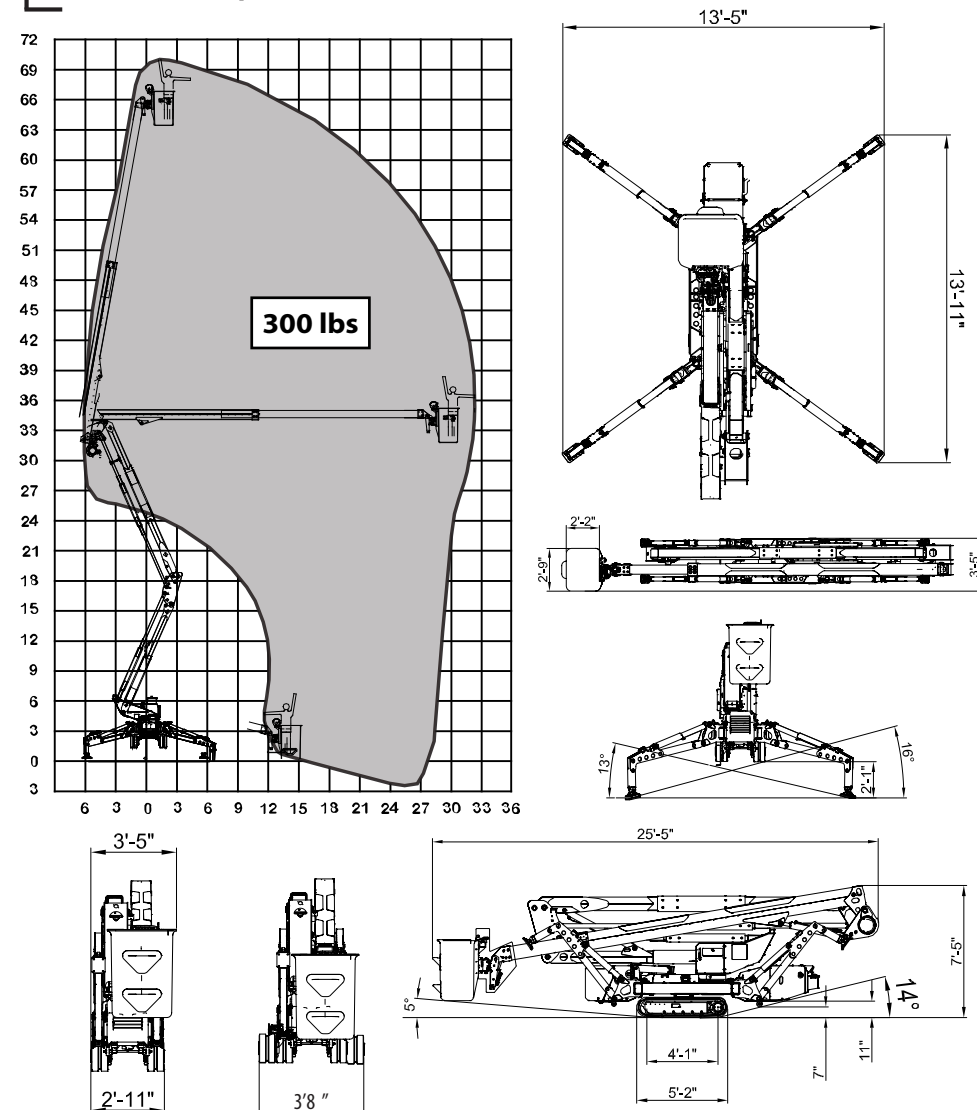


SPECIFICATIONS

Max. working height	72'
Max. outreach	32'10" unrestricted
Max. basket load	300 lbs
Basket size	2'9" x 2'2" (1-man bucket)
Basket rotation	± 90°
Turret rotation	360° non-continuous
Traveling length	25'5"
Traveling height	7'5"
Traveling width	2'11" narrow mode / 3'8" wide mode
Outrigger Spread	13'5" x 13'11"
Battery	12V Emergency Descent System
Diesel Engine	Kubota Diesel, 15 HP
Total weight	7,937 lbs
Gradability, max. across slope	29% (16°)
Gradability, max. up and down slope	29% (16°)
Deployment ability on slopes up to	29% (16°)

DIAGRAMS

DATA AND DIMENSIONS ARE INDICATIVE AND NOT BINDING



ADD-ON OPTIONS:

- White Rubber Non-Marking Tracks
- Custom Colors